

LEVEL TRANSMITTER

DATA SHEET

FKE...5

The FCX-AII level transmitter accurately measures liquid level and transmits a proportional 4 to 20mA signal. The transmitter utilizes a unique micromachined capacitance silicon sensor with state-of-the-art microprocessor technology to provide exceptional performance and functionality.

FEATURES

- High accuracy**
 0.165% accuracy for all calibrated spans is a standard feature. The micro-capacitance silicon sensor assures this accuracy for all elevated or suppressed calibration ranges without additional adjustment.
 0.1% accuracy is available as option
- Minimum environmental influence**
 The "Advanced Floating Cell" design which protects the pressure sensor against changes in temperature, static pressure, and overpressure substantially reduces total measurement error in actual field applications.
- Fuji/HART® bilingual communications protocol**
 FCX-AII series transmitter offers bilingual communications to speak both Fuji proprietary protocol and HART®. Any HART® compatible devices can communicate with FCX-AII.
- Application flexibility**
 Various options that render the FCX-AII suitable for almost any process applications include:
 - Full range of hazardous area approvals
 - Built-in RFI filter and lightning arrester
 - 5-digit LCD meter with engineering unit
 - Stainless steel electronics housing
 - Wide selection of materials
 - High temperature, high vacuum service.
- Programmable output Linearization Function**
 Output signal can be freely programmable.
 (Up to 14 compensated points at approximation.)
- Burnout current flexibility (Under Scale: 3.2 to 4.0mA, Over Scale: 20.0 to 22.5mA)**
 Burnout signal level is adjustable using Model FXW Hand Held Communicator (HHC) to comply with NAMUR NE43.
- Dry calibration without reference pressure**
 Thanks to the best combination of unique construction of mechanical parts (Sensor unit) and high performance electronics circuit (Electronics unit), reliability of dry calibration without reference pressure is at equal level as wet calibration.



SPECIFICATIONS

Functional specifications

Type:

FKE : Level transmitter

Service :

Liquid, gas or vapour.

Static pressure, span, and range limit:

Type	Static pressure	Span limit (mmH ₂ O)		Range limit (mmH ₂ O)
		Min.	Max.	
FKE□□2	} Up to flange rating	10	600	± 600
FKE□□3		32	3200	± 3200
FKE□□5		130	13000	± 13000
FKE□□6		500	50000	± 50000
FKE□□8		3000	300000	±300000

Remark:

To minimize environmental influence, span should be greater than 1/40 of the max. span in most applications.

- Lower limit of static pressure (vacuum limit) ;
 Silicone fill sensor: See Fig.1
 Fluorinated fill sensor: 66kPa abs (500mmHg abs) at temperature below 60 °C.

Overrange limit:

To maximum static pressure limit

Output signal:

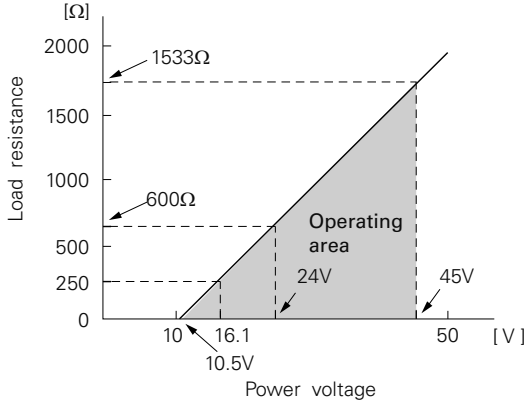
4 to 20mA DC with digital signal superimposed on the 4 to 20mA signal

Power supply:

Transmitter operates on 10.5V to 45V DC at transmitter terminals.

10.5V to 32V DC for the units with optional arrester.

Load limitations: see figure below



Note: For communication with HHC⁽¹⁾, min. of 250Ω required.

Hazardous locations: See below

Authority (Digit 10=)	Intrinsic safety																					
ATEX (K)	Ex II 1 G Ex ia IIC T5 (-40°C ≤ Ta ≤ +50 °C) Ex ia IIC T4 (-40°C ≤ Ta ≤ +70 °C) IP66/67 Entity Parameters: Ui ≤ 28 Vdc, Ii ≤ 94.3 mA, Pi ≤ 0.66 W Ci = 36 nF/26 nF for models with/without Arrester Li = 0.7 mH/0.6 mH for models with/without Analog Indicator																					
Factory Mutual (pending) (H)	Class I II III Div.1 Groups A, B, C, D, E, F, G T4 Entity Type 4X <table border="1"> <thead> <tr> <th colspan="2">Model code</th> <th>Tamb</th> </tr> <tr> <th>9th digit</th> <th>13th digit</th> <th></th> </tr> </thead> <tbody> <tr> <td>A,B,C,D,J</td> <td>Y,G,N</td> <td>-40°C to +85°C</td> </tr> <tr> <td>L,P,M,1,2,3</td> <td>Y,G,N</td> <td>-20°C to +80°C</td> </tr> <tr> <td>Q,S,N,4,5,6</td> <td>Y,G,N</td> <td>-20°C to +60°C</td> </tr> <tr> <td>E,F,G,H,K</td> <td>Y,G,N</td> <td>-40°C to +60°C</td> </tr> <tr> <td>-</td> <td>W,A,D</td> <td>-10°C to +60°C</td> </tr> </tbody> </table> Entity Parameters: Vmax=42.4V, Imax=113mA, Pi=1W, Ci=35.98nF, Li=0.694mH	Model code		Tamb	9th digit	13th digit		A,B,C,D,J	Y,G,N	-40°C to +85°C	L,P,M,1,2,3	Y,G,N	-20°C to +80°C	Q,S,N,4,5,6	Y,G,N	-20°C to +60°C	E,F,G,H,K	Y,G,N	-40°C to +60°C	-	W,A,D	-10°C to +60°C
Model code		Tamb																				
9th digit	13th digit																					
A,B,C,D,J	Y,G,N	-40°C to +85°C																				
L,P,M,1,2,3	Y,G,N	-20°C to +80°C																				
Q,S,N,4,5,6	Y,G,N	-20°C to +60°C																				
E,F,G,H,K	Y,G,N	-40°C to +60°C																				
-	W,A,D	-10°C to +60°C																				
CSA (J)	Ex ia Class I, Groups A, B, C and D; Class II, Groups E,F and G; Class III Per drawing TC 522873 Temp. code T5 for Tamb max = +50°C Temp. code T4 for Tamb max = +70°C Entity Parameters: Vmax = 28 Vdc, Imax = 94.3 mA, Pmax = 0.66 W Ci = 36 nF/25 nF for models with/without Arrester Li = 0.7 mH/0.6 mH for models with/without Analog Indicator																					
IECEX (T)	Ex ia IIC T5 (-40°C ≤ Ta ≤ +50 °C) Ex ia IIC T4 (-40°C ≤ Ta ≤ +70 °C) IP66/67 Entity Parameters: Ui ≤ 28 Vdc, Ii ≤ 94.3 mA, Pi ≤ 0.66 W Ci = 36 nF/26 nF for models with/without Arrester Li = 0.7 mH/0.6 mH for models with/without Analog Indicator																					

Authority (Digit 10=)	Type n Nonincendive																					
ATEX (P)	Ex II 3 G Ex nA II T5 (-40°C ≤ Ta ≤ +70 °C) IP66/67 Electrical ratings Model Without arrester: Ui ≤ 45 Vdc, 4-20 mA loop powered, Pi ≤ 1.0125 W Model With arrester: Ui ≤ 32 Vdc, 4-20 mA loop powered, Pi ≤ 1.0125 W Optional Analog indicator is not available for type "n"																					
Factory Mutual (pending) (H)	Class I II III Div.2 Groups A, B, C, D, F, G T4 Entity Type 4X <table border="1"> <thead> <tr> <th colspan="2">Model code</th> <th>Tamb</th> </tr> <tr> <th>9th digit</th> <th>13th digit</th> <th></th> </tr> </thead> <tbody> <tr> <td>A,B,C,D,J</td> <td>Y,G,N</td> <td>-40°C to +85°C</td> </tr> <tr> <td>L,P,M,1,2,3</td> <td>Y,G,N</td> <td>-20°C to +80°C</td> </tr> <tr> <td>Q,S,N,4,5,6</td> <td>Y,G,N</td> <td>-20°C to +60°C</td> </tr> <tr> <td>E,F,G,H,K</td> <td>Y,G,N</td> <td>-40°C to +60°C</td> </tr> <tr> <td>-</td> <td>W,A,D</td> <td>-10°C to +60°C</td> </tr> </tbody> </table>	Model code		Tamb	9th digit	13th digit		A,B,C,D,J	Y,G,N	-40°C to +85°C	L,P,M,1,2,3	Y,G,N	-20°C to +80°C	Q,S,N,4,5,6	Y,G,N	-20°C to +60°C	E,F,G,H,K	Y,G,N	-40°C to +60°C	-	W,A,D	-10°C to +60°C
Model code		Tamb																				
9th digit	13th digit																					
A,B,C,D,J	Y,G,N	-40°C to +85°C																				
L,P,M,1,2,3	Y,G,N	-20°C to +80°C																				
Q,S,N,4,5,6	Y,G,N	-20°C to +60°C																				
E,F,G,H,K	Y,G,N	-40°C to +60°C																				
-	W,A,D	-10°C to +60°C																				
CSA (pending) (J)	Class I Div.2 Groups A, B, C, D Class II Div.2 Groups E, F, G Class III Div.2 Temp Code T5 Tamb max = +50°C Temp Code T4 Tamb max = +70°C Entity Parameters: Vmax = 28 Vdc, Imax = 94.3 mA, Pmax = 0.66 W Ci = 36 nF/25 nF for models with/without Arrester Li = 0.7 mH/0.6 mH for models with/without Analog Indicator																					
IECEX (Q)	Ex nA II T5 (-40°C ≤ Ta ≤ +70 °C) IP66/67 Electrical ratings Model Without arrester: Ui ≤ 45 Vdc, 4-20 mA loop powered, Pi ≤ 1.0125 W Model With arrester: Ui ≤ 32 Vdc, 4-20 mA loop powered, Pi ≤ 1.0125 W Optional Analog indicator is not available for type "n"																					
Authority	Flameproof																					
ATEX (X)	Ex II 2 GD Ex d IIC T6 (-40°C ≤ Ta ≤ +65 °C) Ex d IIC T5 (-40°C ≤ Ta ≤ +85 °C) Ex tD A21 IP66/67 T 85°C Ex tD A21 IP66/67 T 100°C Electrical ratings Model Without arrester: Ui ≤ 45 Vdc, 4-20 mA loop powered, Pi ≤ 1.0125 W Model With arrester: Ui ≤ 32 Vdc, 4-20 mA loop powered, Pi ≤ 1.0125 W																					
Factory Mutual (pending) (D)	Class I Div.1 Groups B, C, D T6 Type 4X Class II III Div.1 Groups E, F, G T6 Type 4X Tamb max = +60°C																					
CSA (E)	Class I, Groups C and D; Class II, Groups E,F and G ; Class III Maximum ambient temperature 85°C Maximum working pressure 50 Mpa Electrical ratings Model Without arrester: Ui ≤ 45 Vdc, 4-20 mA Model With arrester: Ui ≤ 32 Vdc, 4-20 mA Note: "Seal not required"																					
IECEX (R)	Ex d IIC T6 (-40°C ≤ Ta ≤ +65 °C) Ex d IIC T5 (-40°C ≤ Ta ≤ +85 °C) DIP A21 IP66/67 T 85°C DIP A21 IP66/67 T 100°C Electrical ratings Model Without arrester: Ui ≤ 45 Vdc, 4-20 mA loop powered, Pi ≤ 1.0125 W Model With arrester: Ui ≤ 32 Vdc, 4-20 mA loop powered, Pi ≤ 1.0125 W																					

Zero/span adjustment:

Zero and span are adjustable from the HHC⁽¹⁾. Zero and span are also adjustable externally from the adjustment screw.

Damping:

Adjustable from HHC⁽¹⁾ or local adjustment unit with LCD display.

The time constant is adjustable between 0.12 to 32 sec.

Zero elevation/suppression:

-100% to + 100% of URL

Normal/reverse action:

Selectable from HHC⁽¹⁾

Indication:

Analog indicator or 5-digit LCD meter

Burnout direction: Selectable from HHC⁽¹⁾

If self-diagnostic detect transmitter failure, the analog signal will be driven to either "Output Hold", "Output Overscale" or "Output Underscale" modes.

"Output Hold":

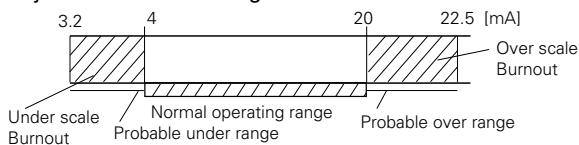
Output signal is hold as the value just before failure happens.

"Output Overscale":

Adjustable within the range 20.0mA to 22.5mA from HHC⁽¹⁾

"Output Underscale":

Adjustable within the range 3.2mA to 4.0mA from HHC⁽¹⁾



Loop-check output:

Transmitter can be configured to provide constant signal 3.2mA through 22.5mA by HHC⁽¹⁾.

Temperature limit:

- Ambient: -40 to + 85°C
- 20 to + 80°C (for LCD indicator)
- 40 to + 60°C (for arrester option)
- 10 to + 60°C (for fluorinated oil fill transmitter)

For explosionproof units (flameproof or intrinsic safety), ambient temperature must be within the limits specified in each standard.

Process:

	Code in the 13th digit of "Code symbols"	Process temperature	Lower limit of static pressure
Fluorinated oil	W, A	-20 to 120°C	Atmospheric
Silicone oil	Y and G	-40 to 150°C	20 torr

Note: For higher process temperature, please consult FUJI

Storage:

-40 to + 90°C

Humidity limit:

0 to 100% RH

Communication:

With HHC⁽¹⁾ (model FXW, consult DS EDS8-47), following items can be remotely displayed or configured.

Note:

HHC's version must be higher than 7.0 or (FXW □□□□ 1-□4), for FCX -AII for supporting these items : "Saturate current", "Write protect", and "History".

Items	Fuji Protocol with FXW		Hart Protocol	
	Display	Set	Display	Set
Tag No.	✓	✓	✓	✓
Model No.	✓	✓	—	—
Serial No. & Software Version	✓	—	✓	—
Engineering unit	✓	✓	✓	✓
Range limit	✓	—	✓	—
Measuring range	✓	✓	✓	✓

Damping	✓	✓	✓	✓
Output mode	✓	—	✓	—
Burnout direction	✓	✓	✓	✓
Calibration	✓	✓	✓	✓
Output adjust	—	✓	—	✓
Data	✓	—	✓	—
Self diagnoses	✓	—	✓	—
Printer (In case of FXW with printer option)	✓	—	—	—
External switch lock	✓	✓	✓	✓
Transmitter display	✓	✓	✓	✓
Linearize*	✓	✓	—	—
Rerange	✓	✓	✓	✓
Saturate current	✓	✓	✓	✓
Write protect	✓	✓	✓	✓
History				
- Calibration history	✓	✓	✓	✓
- Ambient temperature history	✓	—	✓	—

(Note) (1) HHC: Hand Held Communicator

***Local configurator with LCD display (option):**

Local configurator with 3 push button and LCD display can support all items (Fuji Protocol list) except "Linearize" function.

Programmable output linearization function:

Output signal can be characterized with "14 points linear approximation function" from HHC⁽¹⁾.

Performance specifications

Reference conditions, silicone oil fill, 316SS isolating diaphragms, 4-20 mA analog output.

Accuracy rating:

(including linearity, hysteresis, and repeatability)

(Standard)

For spans greater than 1/10 of URL:

±0.165% of span

For spans below 1/10 of URL:

$$\pm \left(0.1 + 0.1 \frac{0.1 \times \text{URL}}{\text{Span}} \right) \% \text{ of span}$$

(Option) (Code: 21th digit H, K)

For span greater than 1/10 of URL:

0.1% of span

For span below 1/10 of URL:

$$\pm \left(0.05 + 0.05 \frac{0.1 \times \text{URL}}{\text{Span}} \right) \% \text{ of span}$$

Stability:

±0.2% of upper range limit (URL) for 10 years.

Temperature effect:

Effects per 28°C change between the limits of -40°C and +85°C

Zero shift (transmitter only): ±0,30 Of URL

Zero shift (level kit only): ±0,30 Of URL

Total effect (level kit and transmitter): ±0,30% Of URL

Note : The indicated values are for temperature compensation made on transmitter only, without level kit. Zero shift is improved (2 to 3 times) by an additional temperature compensation of the complete level transmitter (level kit and transmitter)

Static pressure effect:

Zero shift: ±0.2% of URL / 1MPa
 Span shift: -0.2% of calibrated span/1MPa
 Double the effects for material code (7th digit in codes symbols) "H", "M", "T", "B", "P" and "R"

Overrange effect:

Zero shift; ±0.1% of URL for flange rating pressure
 Double the effects for material code (7th digit in codes symbols) "H", "M", "T", "B", "P" and "R"

Supply voltage effect:

Less than 0.005% of calibrated span per 1V

Update rate:

60 msec

Response time: (at 63,2% of output signal)

Range code	Time constant (at 23°C)	Dead time
"3"	550 msec	120 msec approx.
"5" to "8"	300 msec	

Response time = time constant + dead time

Mounting position effect:

Zero shift, less than 30 mmH₂O for a 10° tilt in any plane (no extension). No effect on span.

This error can be corrected by adjusting zero.

Vibration effect:

> ±0,25% of span for spans greater than 1/10 of URL.
 Frequency 10 to 150Hz, acceleration 39,2m/sec².

Material fatigue:

Please consult Fuji Electric.

Dielectric strength:

500V AC, 50/60Hz 1 min., between circuit and earth

Insulation resistance:

More than 100MΩ at 500V DC.

Turn-on time:

4 seconds

Internal resistance for external field indicator:

12Ω Max (connected to test terminal CK+ and CK-

Non-wetted parts material:

Electronics housing:
 Standard :
 Low copper die-cast aluminum, finished with epoxy/polyurethane double coating or 316 SS as option.
 Bolts and nuts:
 Cr-Mo alloy (standard) or 316 SS
 Fill fluid:
 Silicone oil (standard) for the measuring cell and level kit
 Silicone oil (standard) for the measuring cell and fluorinated oil (or specific oils upon request) for the level kit.
 Mounting flange:
 316L SS

Environmental protection:

IEC IP67 and NEMA 6/6P

Flange mounting:

See drawings

Mass {weight}:

Transmitter:
 approx. 10.2 to 19.2kg without options.
 Add; 0.5kg for mounting bracket
 4.5kg for stainless steel housing (option)
 1.0kg per 50mm extension of diaphragm

Physical specifications

Electrical connections:

1/2-14 NPT, Pg13.5 or M20 x 1.5

Process connections:

LP side: 1/4-18 NPT
 HP side: ANSI or DIN raised face flange.
 Refer to "Code symbols"
 Raised face flange machining:
 Stockfinish - 316L SS diaphragm
 Smooth finish - other diaphragm materials

Process-wetted parts material:

Material code (7th digit in "Code sym- bols")	LP side			HP side
	Process cover	Diaphragm	Wetted sensor body	Diaphragm & flange face
V	316 SS (*)	316L SS	316 SS	316L SS
H	316 SS (*)	316L SS	316 SS	Hastelloy-C
M	316 SS (*)	316L SS	316 SS	Monel
T	316 SS (*)	316L SS	316 SS	Tantalum
A	316 SS (*)		316 SS	316L SS + FEP lining
B	316 SS (*)	316L SS	316 SS	316L SS + Gold coating
P	316 SS (*)	316L SS	316 SS	Tantalum
R	316 SS (*)	316L SS	316 SS	Zirconium

Note: Process cover gasket: Viton O-ring or PTFE/15% graphite square section gasket.

Optional features

Indicator: A plug-in analog indicator (2.5% accuracy).

An optional 5-digit LCD meter with engineering unit is also available.

Local configurator with LCD display:

An optional 5 digits LCD meter with 3 push buttons can support items as using communication with HHC.

Arrester:

A built-in arrester protects the electronics from lightning surges.

Lightning surge immunity: 4kV (1.2 × 50µs)

Oxygen service:

Special cleaning procedures are followed throughout the process to maintain all process wetted parts oil-free. The fill fluid is fluorinated oil.

Chlorine service:

Oil-free procedures as above. Includes fluorinated oil for fill.

Degreasing:

Process-wetted parts are cleaned, but the fill fluid is standard silicone oil. Not for use on oxygen or chlorine measurement.

Optional tag plate:

An extra stainless steel tag with customer tag data is wired to the transmitter.

NACE specification:

Metallic materials for all pressure bound ary parts comply with NACE MR-01-75. 630/304 stainless steel bolts and nuts comply with NACE.

Vacuum service:

Special silicone oil and filling procedure are applied.
See Fig.1 and Fig.2 below

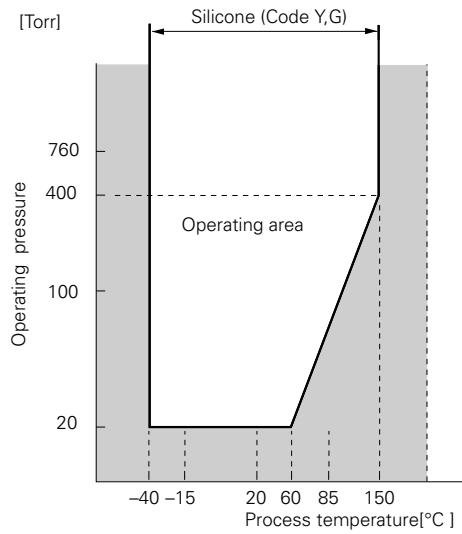


Fig. 1 Relation between process temperature and operating pressure

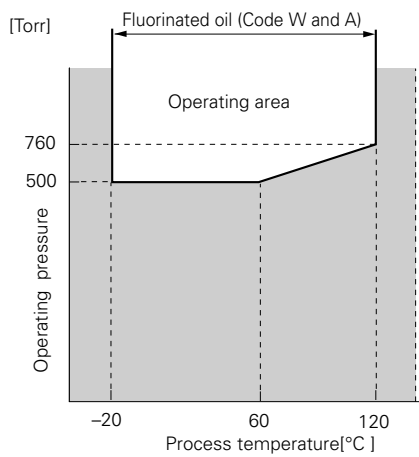


Fig. 2 Relation between process temperature and operating pressure

ACCESSORIES

Oval flanges:

Converts process connection to 1/2-14 NPT in 316 SS

Hand held communicator:

(Model FXW, refer to Data Sheet EDS8-47)

The product conforms to the requirements of the Electro-magnetic compatibility Directive 89/336/EEC as detailed within the technical construction file number TN513035. The applicable standards used to demonstrate compliance are :

EMI (Emission) EN61326 : 1997

Class A (std for Industrial Location)

Frequency range MHz	Limits	Reference Standard
3 to 230	40dB (µV/m) quasi peak measured at 10m distance	CISPR16-1 and CISPR16-2
230 to 1000	47dB (µV/m) quasi peak, measured at 10m distance	

Note) Definition of performance criteria

A : During testing, normal performance within the specification limits

B : During testing, temporary degradation, or loss of function or performance which is self-recovering.

EMS (Immunity) EN61326 : 1997

Annex A (standard for Industrial Location)

Phenomenon	Test value	Basic Standard	Performance criteria
Electrostatic discharge	4kV (Contact) 8kV (Air)	IEC61000-4-2	B
Electromagnetic field	80 to 1000MHz 10V/m 80%AM (1kHz)	IEC61000-4-3	A
Rated power frequency magnetic field	30A/m 50Hz	IEC61000-4-8	A
Burst	2kV 5kHz	IEC61000-4-4	B
Surge	1.2µs/50µs 1kV (Line to line) 2kV (line to ground)	IEC61000-4-5	B
Conducted RF	0.15 to 80MHz 3V , 80%AM (1kHz)	IEC61000-4-6	A

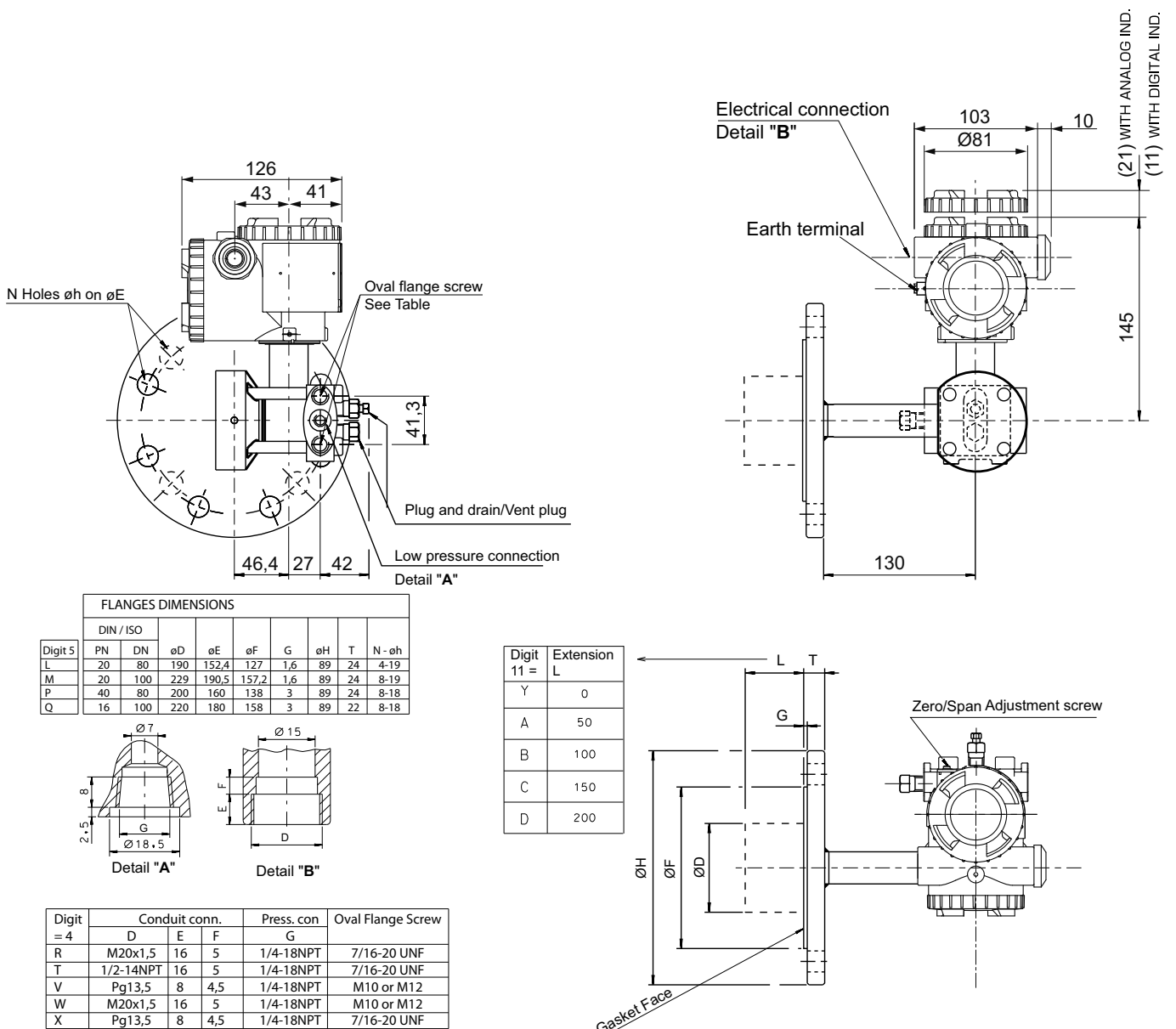
CODE SYMBOLS

16	15	14	13	12	11	10	9	8	7	6	5	4	3	2	1																																								
F	K	E						F																																															
DESCRIPTION																																																							
Type																																																							
Smart, 4-20 mA dc + Fuji/Hart® digital signal																																																							
Connections																																																							
LP side connections																																																							
Electric. housing																																																							
<table border="1" style="width: 100%;"> <thead> <tr> <th>Process</th> <th>Oval flange screw</th> <th>Conduit connection</th> </tr> </thead> <tbody> <tr> <td>1/4-18 NPT</td> <td>7/16-20 UNF</td> <td>M 20 x 1,5</td> </tr> <tr> <td>1/4-18 NPT</td> <td>7/16-20 UNF</td> <td>1/2-14 NPT</td> </tr> <tr> <td>1/4-18 NPT</td> <td>M10</td> <td>Pg 13,5</td> </tr> <tr> <td>1/4-18 NPT</td> <td>M10</td> <td>M 20 x 1,5</td> </tr> <tr> <td>1/4-18 NPT</td> <td>7/16-20 UNF</td> <td>Pg 13,5</td> </tr> </tbody> </table>																Process	Oval flange screw	Conduit connection	1/4-18 NPT	7/16-20 UNF	M 20 x 1,5	1/4-18 NPT	7/16-20 UNF	1/2-14 NPT	1/4-18 NPT	M10	Pg 13,5	1/4-18 NPT	M10	M 20 x 1,5	1/4-18 NPT	7/16-20 UNF	Pg 13,5																						
Process	Oval flange screw	Conduit connection																																																					
1/4-18 NPT	7/16-20 UNF	M 20 x 1,5																																																					
1/4-18 NPT	7/16-20 UNF	1/2-14 NPT																																																					
1/4-18 NPT	M10	Pg 13,5																																																					
1/4-18 NPT	M10	M 20 x 1,5																																																					
1/4-18 NPT	7/16-20 UNF	Pg 13,5																																																					
Mounting flange																																																							
<table border="1" style="width: 100%;"> <thead> <tr> <th>Material</th> <th>Size and rating</th> <th>Flange mount. position</th> </tr> </thead> <tbody> <tr> <td rowspan="4">SS 316 L</td> <td>ANSI-150LB3"-ISO PN 20 DN 80</td> <td rowspan="4">Long design</td> </tr> <tr> <td>ANSI-150LB4"-ISO PN 20 DN 100</td> </tr> <tr> <td>DIN PN40 DN80</td> </tr> <tr> <td>DIN PN16 DN100</td> </tr> <tr> <td rowspan="4">SS 316 L</td> <td>ANSI-150LB3"-ISO PN 20 DN 80</td> <td rowspan="4">Short design</td> </tr> <tr> <td>ANSI-150LB4"-ISO PN 20 DN 100</td> </tr> <tr> <td>DIN PN40 DN80</td> </tr> <tr> <td>DIN PN16 DN100</td> </tr> </tbody> </table>																Material	Size and rating	Flange mount. position	SS 316 L	ANSI-150LB3"-ISO PN 20 DN 80	Long design	ANSI-150LB4"-ISO PN 20 DN 100	DIN PN40 DN80	DIN PN16 DN100	SS 316 L	ANSI-150LB3"-ISO PN 20 DN 80	Short design	ANSI-150LB4"-ISO PN 20 DN 100	DIN PN40 DN80	DIN PN16 DN100																									
Material	Size and rating	Flange mount. position																																																					
SS 316 L	ANSI-150LB3"-ISO PN 20 DN 80	Long design																																																					
	ANSI-150LB4"-ISO PN 20 DN 100																																																						
	DIN PN40 DN80																																																						
	DIN PN16 DN100																																																						
SS 316 L	ANSI-150LB3"-ISO PN 20 DN 80	Short design																																																					
	ANSI-150LB4"-ISO PN 20 DN 100																																																						
	DIN PN40 DN80																																																						
	DIN PN16 DN100																																																						
Measuring range (mmφ)																																																							
<table border="1" style="width: 100%;"> <tbody> <tr> <td>(*)7</td> <td>10</td> <td>600</td> </tr> <tr> <td>(*)1</td> <td>32</td> <td>3200</td> </tr> <tr> <td></td> <td>130</td> <td>13000</td> </tr> <tr> <td></td> <td>500</td> <td>50000</td> </tr> <tr> <td></td> <td>3000</td> <td>300000</td> </tr> </tbody> </table>																(*)7	10	600	(*)1	32	3200		130	13000		500	50000		3000	300000																									
(*)7	10	600																																																					
(*)1	32	3200																																																					
	130	13000																																																					
	500	50000																																																					
	3000	300000																																																					
Material																																																							
LP side																																																							
HP side																																																							
<table border="1" style="width: 100%;"> <thead> <tr> <th>Process cover</th> <th>Diaphragm</th> <th>Wetted sensor body</th> <th>Diaphragm and flange face</th> </tr> </thead> <tbody> <tr> <td>SS 316</td> <td>SS 316L</td> <td>SS 316</td> <td>SS 316 L</td> </tr> <tr> <td>(*)2 SS 316</td> <td>Hastelloy-C</td> <td>SS 316</td> <td>Hastelloy-C</td> </tr> <tr> <td>(*)2 SS 316</td> <td>SS 316L</td> <td>SS 316</td> <td>Hastelloy-C</td> </tr> <tr> <td>(*)2 SS 316</td> <td>SS 316L</td> <td>SS 316</td> <td>Monel</td> </tr> <tr> <td>(*)2 SS 316</td> <td>SS 316L</td> <td>SS 316</td> <td>Tantalum</td> </tr> <tr> <td>(*)2 SS 316</td> <td>SS 316L</td> <td>SS 316</td> <td>SS 316L + FEP lining</td> </tr> <tr> <td>(*)2 SS 316</td> <td>SS 316L</td> <td>SS 316</td> <td>SS 316L + gold coat</td> </tr> <tr> <td>(*)2 SS 316</td> <td>SS 316L</td> <td>SS 316</td> <td>Titanium</td> </tr> <tr> <td>(*)2 SS 316</td> <td>SS 316L</td> <td>SS 316</td> <td>Zirconium</td> </tr> </tbody> </table>																Process cover	Diaphragm	Wetted sensor body	Diaphragm and flange face	SS 316	SS 316L	SS 316	SS 316 L	(*)2 SS 316	Hastelloy-C	SS 316	Hastelloy-C	(*)2 SS 316	SS 316L	SS 316	Hastelloy-C	(*)2 SS 316	SS 316L	SS 316	Monel	(*)2 SS 316	SS 316L	SS 316	Tantalum	(*)2 SS 316	SS 316L	SS 316	SS 316L + FEP lining	(*)2 SS 316	SS 316L	SS 316	SS 316L + gold coat	(*)2 SS 316	SS 316L	SS 316	Titanium	(*)2 SS 316	SS 316L	SS 316	Zirconium
Process cover	Diaphragm	Wetted sensor body	Diaphragm and flange face																																																				
SS 316	SS 316L	SS 316	SS 316 L																																																				
(*)2 SS 316	Hastelloy-C	SS 316	Hastelloy-C																																																				
(*)2 SS 316	SS 316L	SS 316	Hastelloy-C																																																				
(*)2 SS 316	SS 316L	SS 316	Monel																																																				
(*)2 SS 316	SS 316L	SS 316	Tantalum																																																				
(*)2 SS 316	SS 316L	SS 316	SS 316L + FEP lining																																																				
(*)2 SS 316	SS 316L	SS 316	SS 316L + gold coat																																																				
(*)2 SS 316	SS 316L	SS 316	Titanium																																																				
(*)2 SS 316	SS 316L	SS 316	Zirconium																																																				
Indicator and arrester																																																							
<table border="1" style="width: 100%;"> <thead> <tr> <th>Indicator</th> <th>Arrester</th> <th>Initial setting</th> </tr> </thead> <tbody> <tr> <td>None</td> <td>None</td> <td></td> </tr> <tr> <td>Analog, 0 to 100% linear scale</td> <td>None</td> <td></td> </tr> <tr> <td>Analog, custom scale</td> <td>None</td> <td></td> </tr> <tr> <td>Analog, double scale</td> <td>None</td> <td>4-20mA DC</td> </tr> <tr> <td>None</td> <td>Yes</td> <td>+</td> </tr> <tr> <td>Analog, 0 to 100% linear scale</td> <td>Yes</td> <td>Hart®/Fuji</td> </tr> <tr> <td>Analog, custom scale</td> <td>Yes</td> <td>digital signal</td> </tr> <tr> <td>Analog, double scale</td> <td>Yes</td> <td>'SMART'</td> </tr> <tr> <td>Digital, 0 to 100%</td> <td>None</td> <td></td> </tr> <tr> <td>Digital, custom scale</td> <td>None</td> <td></td> </tr> <tr> <td>Digital, 0 to 100%</td> <td>Yes</td> <td></td> </tr> <tr> <td>Digital, custom scale</td> <td>Yes</td> <td></td> </tr> </tbody> </table>																Indicator	Arrester	Initial setting	None	None		Analog, 0 to 100% linear scale	None		Analog, custom scale	None		Analog, double scale	None	4-20mA DC	None	Yes	+	Analog, 0 to 100% linear scale	Yes	Hart®/Fuji	Analog, custom scale	Yes	digital signal	Analog, double scale	Yes	'SMART'	Digital, 0 to 100%	None		Digital, custom scale	None		Digital, 0 to 100%	Yes		Digital, custom scale	Yes		
Indicator	Arrester	Initial setting																																																					
None	None																																																						
Analog, 0 to 100% linear scale	None																																																						
Analog, custom scale	None																																																						
Analog, double scale	None	4-20mA DC																																																					
None	Yes	+																																																					
Analog, 0 to 100% linear scale	Yes	Hart®/Fuji																																																					
Analog, custom scale	Yes	digital signal																																																					
Analog, double scale	Yes	'SMART'																																																					
Digital, 0 to 100%	None																																																						
Digital, custom scale	None																																																						
Digital, 0 to 100%	Yes																																																						
Digital, custom scale	Yes																																																						
Approvals for hazardous locations (consult FUJI for availability)																																																							
None (Standard)																																																							
ATEX - Flameproof enclosures (digit 4 = "R, T" & "W" only)																																																							
ATEX - Intrinsic Safety																																																							
(*)6 FM - Explosion-Proof (digit 4 = "T" only)																																																							
CSA - Explosion-Proof (digit 4 = "T" only)																																																							
FM - Intrinsic Safety and Non Incendive																																																							
CSA - Intrinsic Safety																																																							
ATEX - Type "n" (digit 9 = A, E, 1, 2, 3, 4, 5 & 6 only)																																																							
IECEX - Type "n" (digit 9 = A, E, 1, 2, 3, 4, 5 & 6 only)																																																							
IECEX - Flameproof enclosures (digit 4 = "dR, T" & "W" only)																																																							
IECEX - Intrinsic Safety																																																							
CSA - Explosion-Proof & Intrinsic Safety combined approval (digit 4 = "T" only)																																																							
ATEX - Flameproof enclosures & Intrinsic Safety combined approval (digit 4 = "R, T" & "W" only)																																																							
IECEX - Flameproof enclosures & Intrinsic Safety combined approval (digit 4 = "R, T" & "W" only)																																																							
FM - Explosion-Proof & Intrinsic Safety combined approval (digit 4 = "T" only)																																																							
Diaphragm extension (mm)																																																							
<table border="1" style="width: 100%;"> <thead> <tr> <th>Extension (mm)</th> <th>Applicable material code</th> </tr> </thead> <tbody> <tr> <td>0</td> <td>Any</td> </tr> <tr> <td>(*)3 50</td> <td rowspan="4">Material code "V"</td> </tr> <tr> <td>(*)3 100</td> </tr> <tr> <td>(*)3 150</td> </tr> <tr> <td>(*)3 200</td> </tr> <tr> <td>(*)3 50</td> <td rowspan="4">Material code "H"</td> </tr> <tr> <td>(*)3 100</td> </tr> <tr> <td>(*)3 150</td> </tr> <tr> <td>(*)3 200</td> </tr> <tr> <td>(*)3 50</td> <td rowspan="4">Material code "M"</td> </tr> <tr> <td>(*)3 100</td> </tr> <tr> <td>(*)3 150</td> </tr> <tr> <td>(*)3 200</td> </tr> <tr> <td>(*)3 50</td> <td rowspan="4">Material code "T"</td> </tr> <tr> <td>(*)3 100</td> </tr> <tr> <td>(*)3 150</td> </tr> <tr> <td>(*)3 200</td> </tr> </tbody> </table>																Extension (mm)	Applicable material code	0	Any	(*)3 50	Material code "V"	(*)3 100	(*)3 150	(*)3 200	(*)3 50	Material code "H"	(*)3 100	(*)3 150	(*)3 200	(*)3 50	Material code "M"	(*)3 100	(*)3 150	(*)3 200	(*)3 50	Material code "T"	(*)3 100	(*)3 150	(*)3 200																
Extension (mm)	Applicable material code																																																						
0	Any																																																						
(*)3 50	Material code "V"																																																						
(*)3 100																																																							
(*)3 150																																																							
(*)3 200																																																							
(*)3 50	Material code "H"																																																						
(*)3 100																																																							
(*)3 150																																																							
(*)3 200																																																							
(*)3 50	Material code "M"																																																						
(*)3 100																																																							
(*)3 150																																																							
(*)3 200																																																							
(*)3 50	Material code "T"																																																						
(*)3 100																																																							
(*)3 150																																																							
(*)3 200																																																							

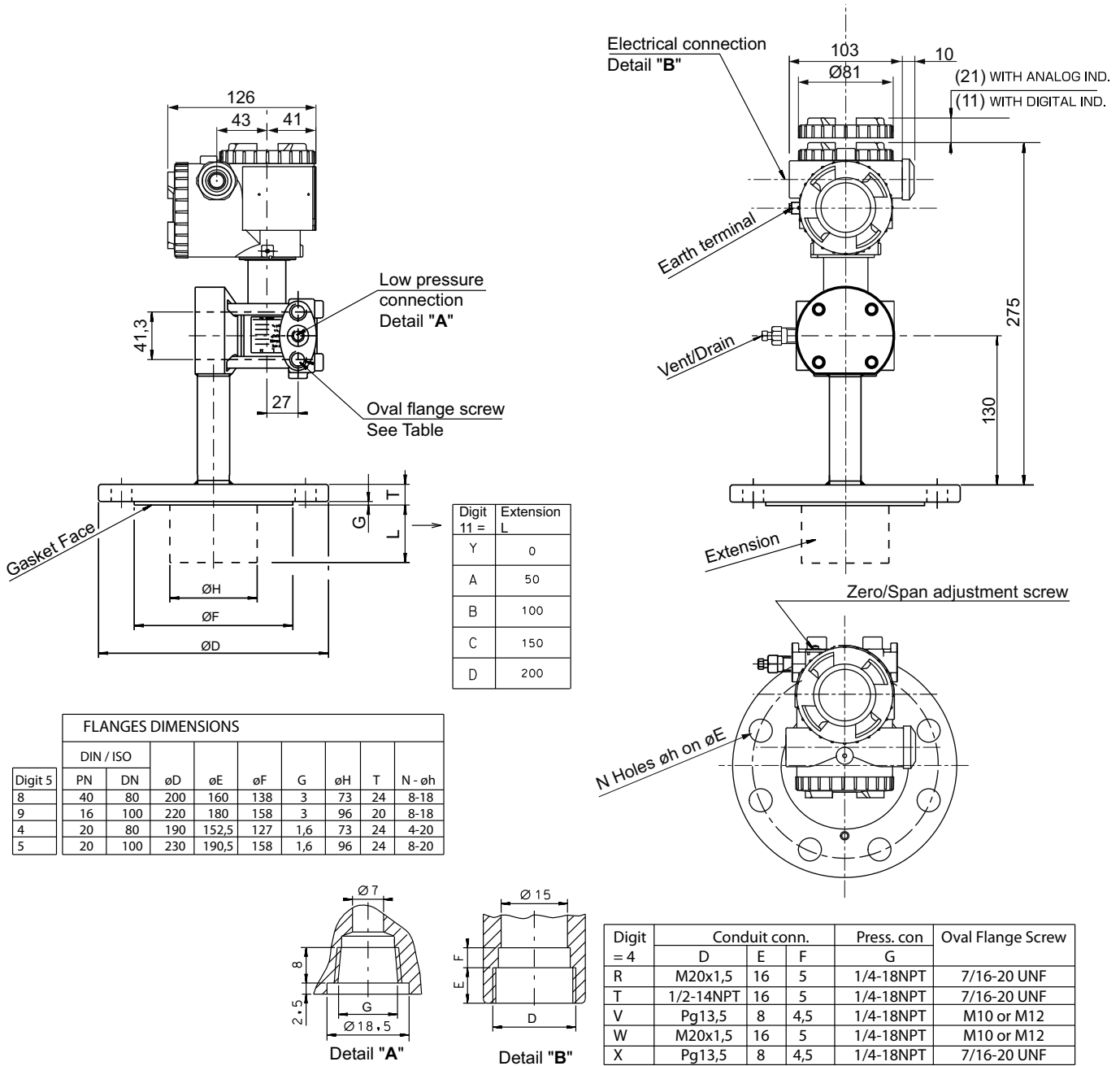
- Notes* :
- 1- Turn down of 100 : 1 is possible, but it should be used at a span greater than 1/40 of the maximum span for better performance.
 - 2- Add values for material options are for = DN80 PN40 or ANSI-150 LB3" flange rate, DN100 or 4" add values are available upon request, LP side written cell body diaphragm in exotic materials are available upon request.
 - 3- All wetted parts in the same material (diaphragm, extension, flange gasket area)
 - 4- When no code can be found in the current code symbols, place* in concerned code digit(s) & add* in 16 th digit
 - 5- Our stainless steel bolts/nuts in SS630 are in conformity with the NACE requirements and must be used for NACE service
 - 6- Code "D & V" FM approval only possible with electrical connection 1/2" NPT.
 - 7- Please consult Fuji with you application conditions

1 2 3 4 5 6 7 8		9 10 11 12 13		14 15		16	DESCRIPTION																		
F	K	E					SS parts <table border="1"> <tr> <td>SS tag plate</td><td>SS housing</td> </tr> <tr> <td>None</td><td>None</td> </tr> <tr> <td>Yes</td><td>None</td> </tr> <tr> <td>None</td><td>Yes</td> </tr> <tr> <td>Yes</td><td>Yes</td> </tr> </table>	SS tag plate	SS housing	None	None	Yes	None	None	Yes	Yes	Yes								
SS tag plate	SS housing																								
None	None																								
Yes	None																								
None	Yes																								
Yes	Yes																								
Y																									
B																									
C																									
E																									
							Special applications and fill fluid (fill fluid of cell = Silicone oil) <table border="1"> <tr> <td>Treatment</td><td>Fill fluid of diaphragm seal</td> </tr> <tr> <td>None (stand)</td><td>Silicone oil</td> </tr> <tr> <td>None (stand)</td><td>Fluorinated oil</td> </tr> <tr> <td>None (stand)</td><td>Sanitary fill fluid</td> </tr> <tr> <td>Degreasing</td><td>Silicone oil</td> </tr> <tr> <td>Oxygen service</td><td>Fluorinated oil cell & seal (Material code "V" only)</td> </tr> <tr> <td>Chlorine service</td><td>Fluorinated oil (Material code "H"&"T" only)</td> </tr> <tr> <td>NACE</td><td>Silicone oil</td> </tr> <tr> <td>Vacuum (max 27 mbar abs)</td><td></td> </tr> </table>	Treatment	Fill fluid of diaphragm seal	None (stand)	Silicone oil	None (stand)	Fluorinated oil	None (stand)	Sanitary fill fluid	Degreasing	Silicone oil	Oxygen service	Fluorinated oil cell & seal (Material code "V" only)	Chlorine service	Fluorinated oil (Material code "H"&"T" only)	NACE	Silicone oil	Vacuum (max 27 mbar abs)	
Treatment	Fill fluid of diaphragm seal																								
None (stand)	Silicone oil																								
None (stand)	Fluorinated oil																								
None (stand)	Sanitary fill fluid																								
Degreasing	Silicone oil																								
Oxygen service	Fluorinated oil cell & seal (Material code "V" only)																								
Chlorine service	Fluorinated oil (Material code "H"&"T" only)																								
NACE	Silicone oil																								
Vacuum (max 27 mbar abs)																									
							Process cover gasket <table border="1"> <tr> <td>- A</td><td>Viton</td> </tr> <tr> <td>- C</td><td>PTFE square section gasket in SS flange (FEF design)</td> </tr> </table>	- A	Viton	- C	PTFE square section gasket in SS flange (FEF design)														
- A	Viton																								
- C	PTFE square section gasket in SS flange (FEF design)																								
							Bolts/screws material <table border="1"> <tr> <td>A</td><td>Cr-Mo (standard)</td> </tr> <tr> <td>U</td><td>SS 316/316 (bolt/nuts)</td> </tr> <tr> <td>F</td><td>SS 630/304 (bolt/nuts)</td> </tr> </table>	A	Cr-Mo (standard)	U	SS 316/316 (bolt/nuts)	F	SS 630/304 (bolt/nuts)												
A	Cr-Mo (standard)																								
U	SS 316/316 (bolt/nuts)																								
F	SS 630/304 (bolt/nuts)																								
							Special options or design (*4) - * special, no code available																		

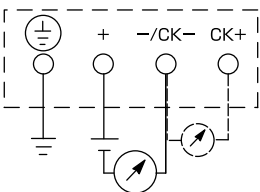
OUTLINE DIAGRAM for short design (Unit:mm)



OUTLINE DIAGRAM for long design (Unit:mm)



CONNECTION DIAGRAM



Fuji Electric France S.A.

46, Rue Georges Besse - Z I du Brézet
 63 039 Clermont-Ferrand cedex 2 — FRANCE
 France : Tél. 04 73 98 26 98 - Fax 04 73 98 26 99
 International : Tél. (33) 4 7398 2698 - Fax. (33) 4 7398 2699
 E-mail : sales.dpt@fujielectric.fr
 Web : www.fujielectric.fr

Fuji Electric can accept no responsibility for possible errors in catalogues, brochures and other printed material. Fuji Electric reserves the right to alter its products without notice. This also applies to products already on order provided that such alterations can be made without subsequent changes being necessary in specifications already agreed. All trademarks in this material are property of the respective companies. All rights reserved.